



## CONNECTORIZED INTERNAL FLANGE

### WITH PENETRATION FLANGE AND PROTECTION BOX

#### CONNECTORIZED INTERNAL FLANGE

##### TECHNICAL SPECIFICATIONS

###### Connection

- Type Male to Male M12, 5-Pin Feedthrough Connector
- Number of Connectors 9 or 12
- Maximum Voltage 30 V
- Maximum Current 200 mA

###### Environment

- Temperature Range
  - Operating 0 to 70 °C [32 to 158 °F]
  - Storage -20 to 70 °C [-4 to 158 °F]
- Operating Pressure Tested underwater for no visible leakage, using hydrogen tracer gas @ 690 kPa [100 psi]

###### Physical Characteristics

- Material 6061-T6 Aluminum
- Finish Nickel-Plated
- Weight 1 kg [2.2 lb]
- Sealing Viton® O-ring AS-568-250
- Protection Rating IP54
- Mounting Using Penetration Flange

#### PENETRATION FLANGE WITH SAFETY COVER

##### TECHNICAL SPECIFICATIONS

###### Physical Characteristics

- Material AISI 1045 Steel
- Finish Nickel-Plated
- Weight
  - Flange 14.8 kg [32.6 lb]
  - Safety Cover 3.6 kg [7.9 lb]
- Safety Cover Seal Viton® O-ring (Included) AS-568-266
- Mounting Welding

#### FLANGE PROTECTION BOX

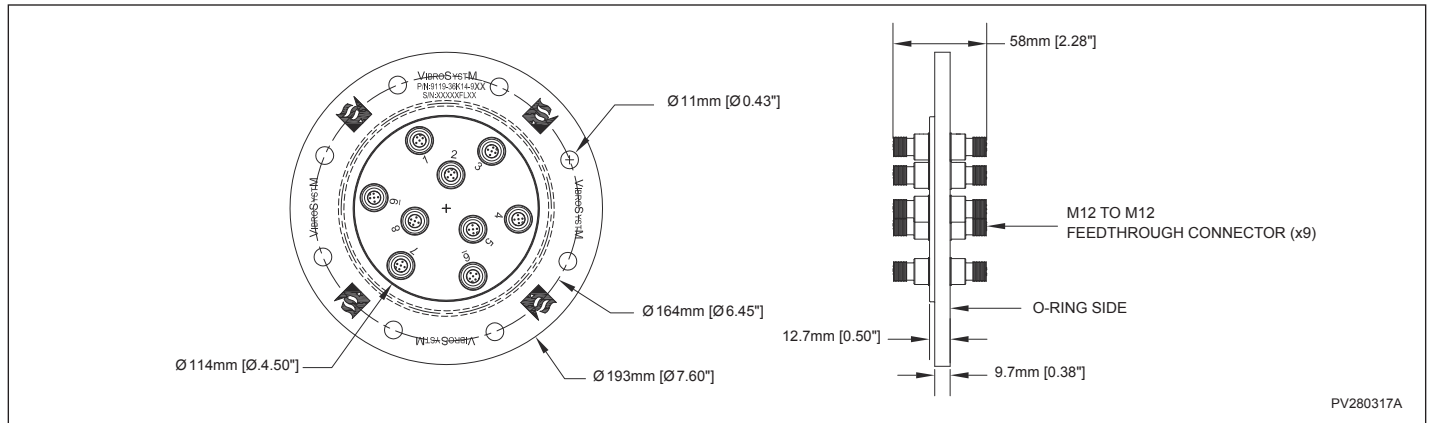
##### TECHNICAL SPECIFICATIONS

###### Physical Characteristics

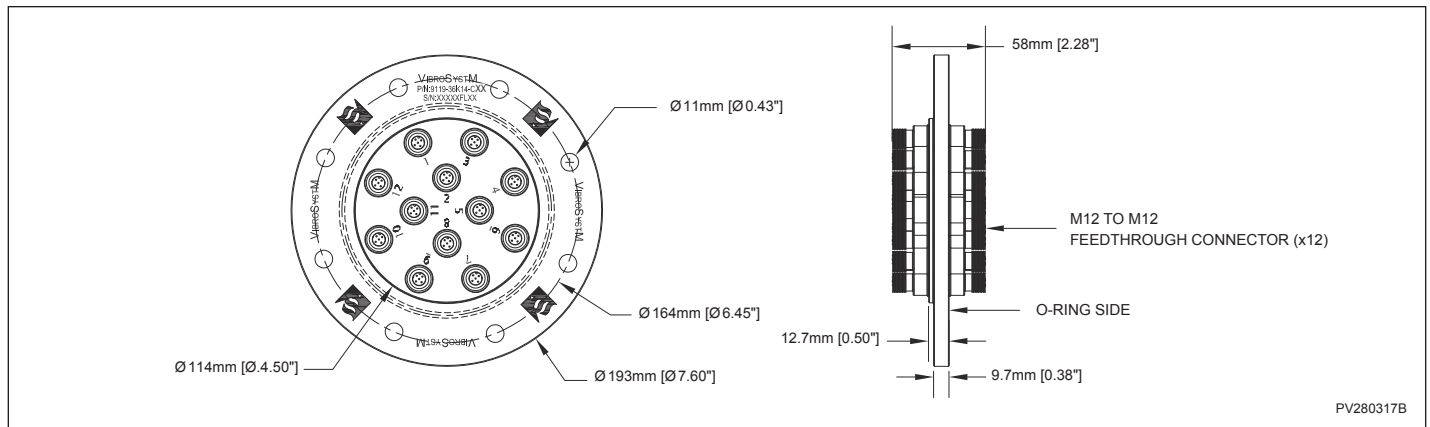
- Material 16 Gauge Steel
- Finish Painted, ASA 61 Grey
- Protection Rating IP21
- Ventilation Holes 4 on Top, ø6 mm [0.25 in]
- Drain Holes 4 on Bottom, ø6 mm [0.25 in]
- Mounting Slotted Leveling Holes



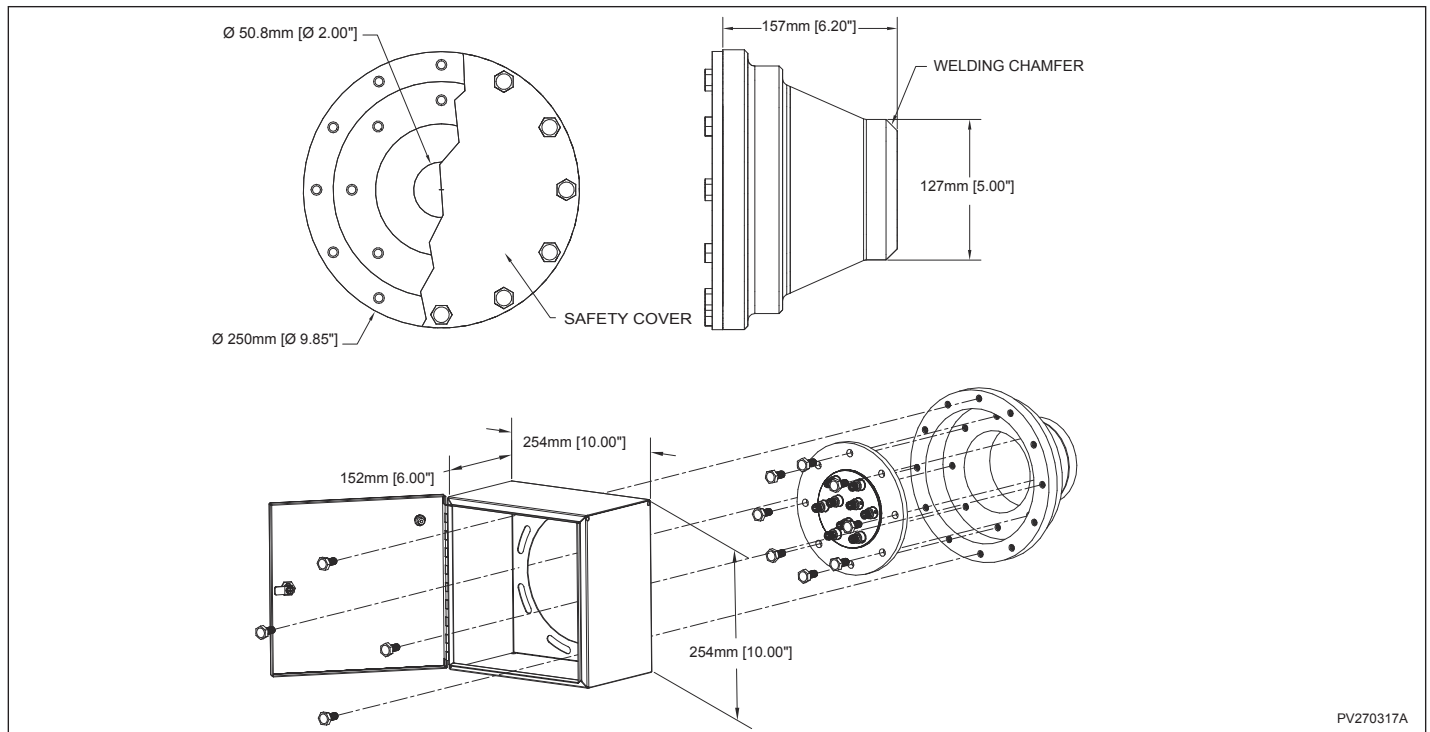
## DIMENSIONS - M12 x 9 CONNECTORIZED INTERNAL FLANGE



## DIMENSIONS - M12 x 12 CONNECTORIZED INTERNAL FLANGE



## DIMENSIONS - FLANGE WITH SAFETY COVER AND PROTECTION BOX





## PRODUCT IDENTIFICATION

| Product Number      | Description                                   |
|---------------------|---|
| VSM-FLG-9M12        | Connectorized internal flange (M12 x 9)       |
| VSM-FLG-12M12       | Connectorized internal flange (M12 x 12)      |
| VSM-FLG-W           | Penetration flange (welded) with safety cover |
| VSM-ORING-FLG-COVER | Seal for penetration flange cover             |
| VSM-ORING-FLG-I     | Seal for connectorized internal flange        |
| VSM-PBOXFLG-10-10-6 | Protection box 10-10-6 for flange             |

Publication: 2018-05-11

VibroSystM Inc. [www.vibrosystem.com](http://www.vibrosystem.com)

VibroSystM Inc. reserves the right to change specifications to improve products without notice.  
NOTICE: Trademarks referenced herein are trademarks and registered trademarks of VibroSystM Inc. or third parties, and are the property of their respective owners. Third party trademarks are used for identification purposes only and shall not be construed as indicative of any relationship or endorsement between VibroSystM Inc. and the third parties.

9619-36D1A-111\_Connectorized Internal Flange