



PCS™-200 SERIES

CAPACITIVE NON-CONTACT MEASURING CHAINS

GENERAL SPECIFICATIONS

Sensors

Operation

- Measurement type Non-contact proximity, capacitive technology

Connection

- Integral cable Triaxial
- Absolute minimum length Nominal minus 0.5 m [19.7 in]
- Connector Male, gold-plated SMA and ground terminal

Environment

- Temperature range
 - Operating 0 to 125 °C [32 to 257 °F]
- Dust and oil contamination Films have no effect
- Humidity Up to 95 %, non-condensing

Physical Characteristics

- Sensor material Stainless steel 303
- Integral cable material FEP jacket / PTFE insulation
- Armor material Flexible stainless steel metallic conduit

LIN™-300 Conditioner

Power Requirements

- Voltage 24 Vdc ± 15 %
- Consumption 120 mA max.
- Protection Auto-reset fuse
- Warm-up time 30 minutes

Connection

- Power / output 5-pin M12 male
- Sensor input Female, gold-plated SMA and grounding terminal

Environment

- Temperature range
 - Operating 0 to 55 °C [32 to 131 °F]
 - Storage (measuring chain) -25 to 70 °C [-13 to 158 °F]

Physical Characteristics

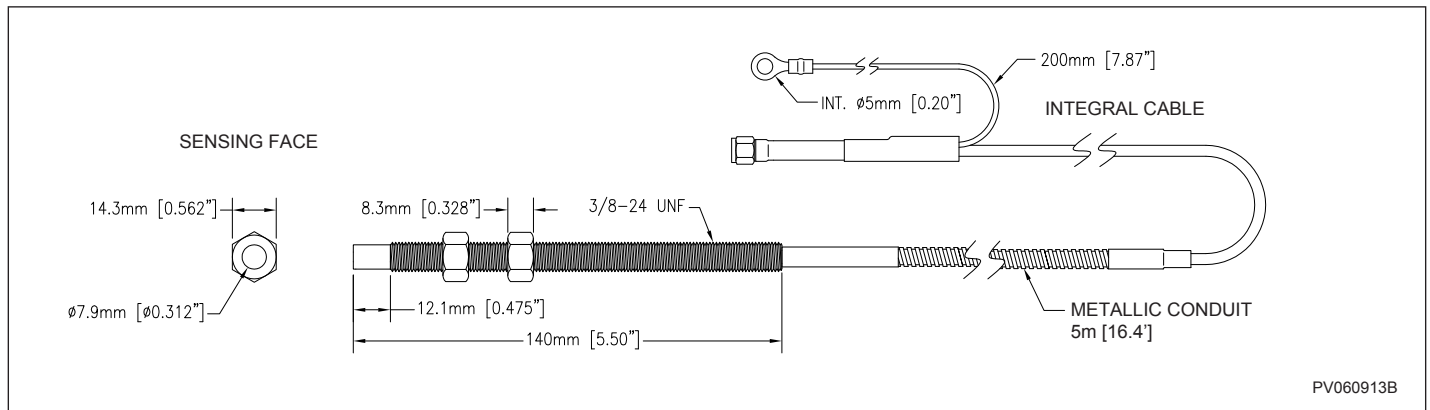
- Body Nickel-plated aluminum
 - Mounting 4 Slots for #6 (M3.5) screws
 - Max. torque on SMA 1.1 Nm [10 in-lb]
 - Status indicator Bi-color LED
-



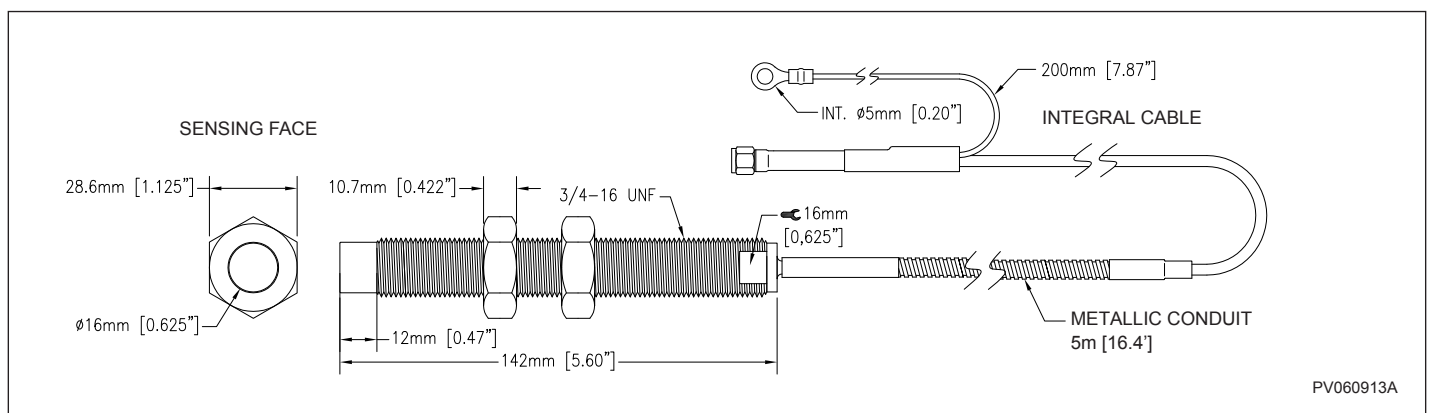
SPECIFICATIONS FOR THE PCS-200 SERIES MEASURING CHAINS

Sensor	PCS-202SB		PCS-200ESB	
	Nominal measuring range	0.3 to 2.3 mm [12 to 91 mils]		0.3 to 4.3 mm [12 to 169 mils]
Integral cable nominal length	6 m [19.7 ft]		6 m [19.7 ft]	
Conditioner model	LIN-302S-6I-0.3/2.3		LIN-304S-6I-0.3/4.3	LIN-306S-6I-0.3/6.3
Output	4 to 20mA			
Bandwidth	DC to 1.2 kHz (-3 dB)			
Sensitivity	8 mA/mm [203 μ A/mil]		4 mA/mm [102 μ A/mil]	2.67 mA/mm [68 μ A/mil]
Accuracy (full scale)				
0 to 30 %	$\pm 1\%$		$\pm 1\%$	$\pm 1\%$
0 to 70 %	$\pm 3\%$		$\pm 3\%$	$\pm 4\%$
0 to 100 %	$\pm 6\%$		$\pm 6\%$	$\pm 8\%$
Repeatability (% of reading)	$\pm 0.3\%$		$\pm 0.3\%$	$\pm 0.3\%$
Temperature drift (at mid-range)	< 800 ppm/°C		< 800 ppm/°C	< 1500 ppm/°C
Load at output	500 Ω max.			

PCS-202SB DIMENSIONS

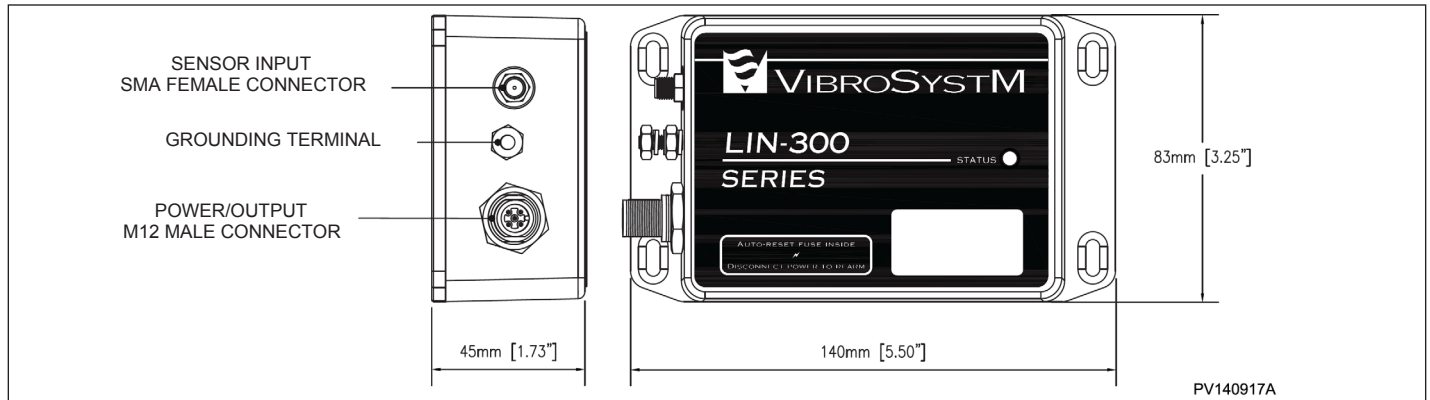


PCS-200ESB DIMENSIONS





LIN-300 CONDITIONER DIMENSIONS



PRODUCT IDENTIFICATION

Product Number	Description
<i>LIN-302S-6I Measuring Chain</i>	
VSM-L302-PCS202S	LIN-302S-6I conditioner (0.3-2.3 mm) (SMA)
VSM-PCS202SB-6I	PCS-202 capacitive proximity probe (6 m integral cable/BOA/SMA/0.3-2.3 mm)
<i>LIN-304S-6I Measuring Chain</i>	
VSM-L304-PCS200ESB	LIN-304S-6I conditioner (0.3-4.3 mm)
VSM-PCS200ESB-6I	PCS-200 capacitive proximity probe (6 m integral cable/BOA/SMA/0.3-4.3/6.3 mm)
<i>LIN-306S-6I Measuring Chain</i>	
VSM-L306-PCS200ESB	LIN-306S-6I conditioner (0.3-6.3 mm)
VSM-PCS200ESB-6I	PCS-200 capacitive proximity probe (6 m integral cable/BOA/SMA/0.3-4.3/6.3 mm)