



PROTECTION BOX 14-12-8 FOR 2 LIN-300 CONDITIONERS

GENERAL SPECIFICATIONS

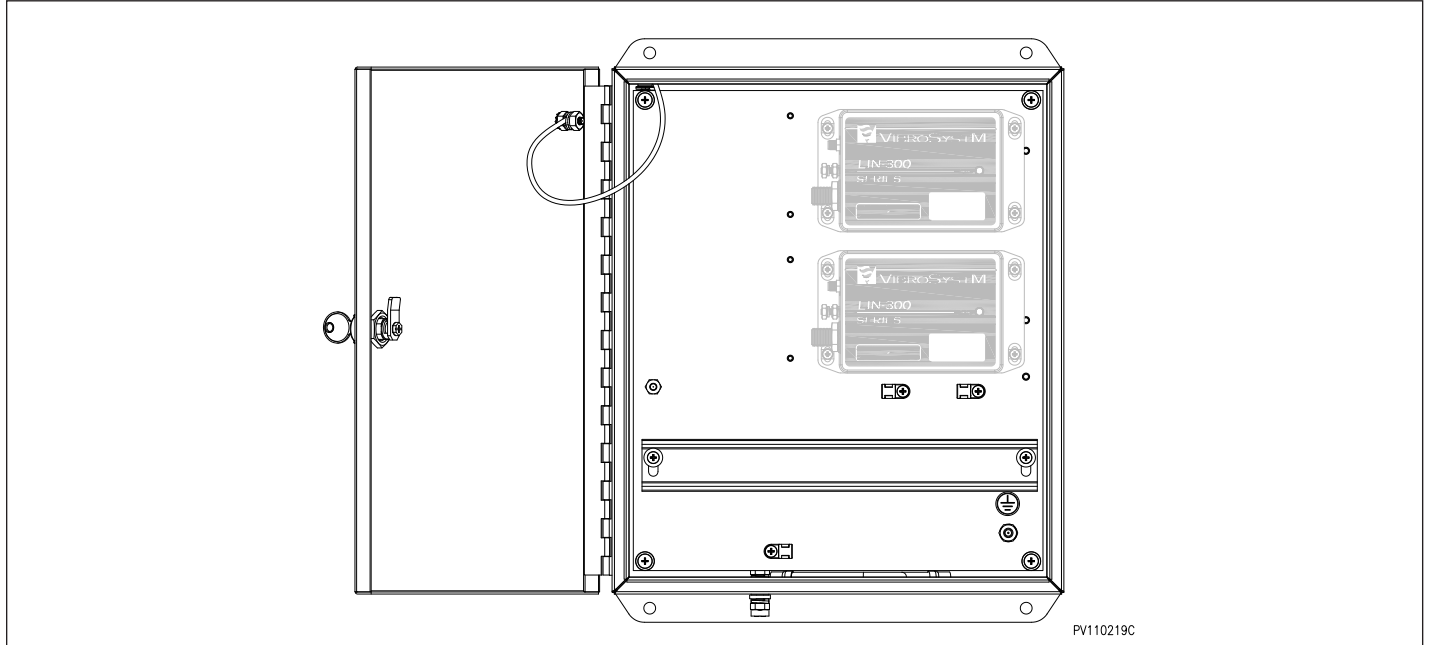
VSM-PBOX-14-12-8

Physical Characteristics

• Enclosure	
Material	Painted 16 gauge steel, 1.9 mm [0.075 in.]
Color (inside & outside)	ANSI 61 gray, textured recoatable powder coating
Protective conductor terminal	Accepts bare copper wire, 6 to 16 mm ² [10 to 4 AWG]
Installation	4 mounting holes, diam. 7.9 mm [0.32 in.], (mounting hardware is not included)
Lock	Wing knob lock with key (1x)
Dimensions	
Height	35.6 cm [14 in.]
Width	30.5 cm [12 in.]
Depth	20.3 cm [8 in.]
• Inner panel	
Material	Unpainted, 14 gauge, zinc plated steel
Mechanical mounting	
Inner panel to the protection box	On anti-vibration dampers (included)
For components on inner panel	DIN 35 rail
• Options	
-TB:	With terminal blocks, prewired M12 shielded cables
-PS:	With terminal blocks, power supply, prewired M12 shielded cables
Environment	
• Temperature (limited by LIN-300 signal conditioner)	
Operation	0 to 45 °C [32 to 113 °F]
Storage	-25 to 70 °C [-13 to 158 °F]
• Humidity	Up to 95%, non-condensing
• Protection rating	NEMA type 4, 12, 13, IP66



OVERVIEW



VSM-PBOX-14-12-8-TB

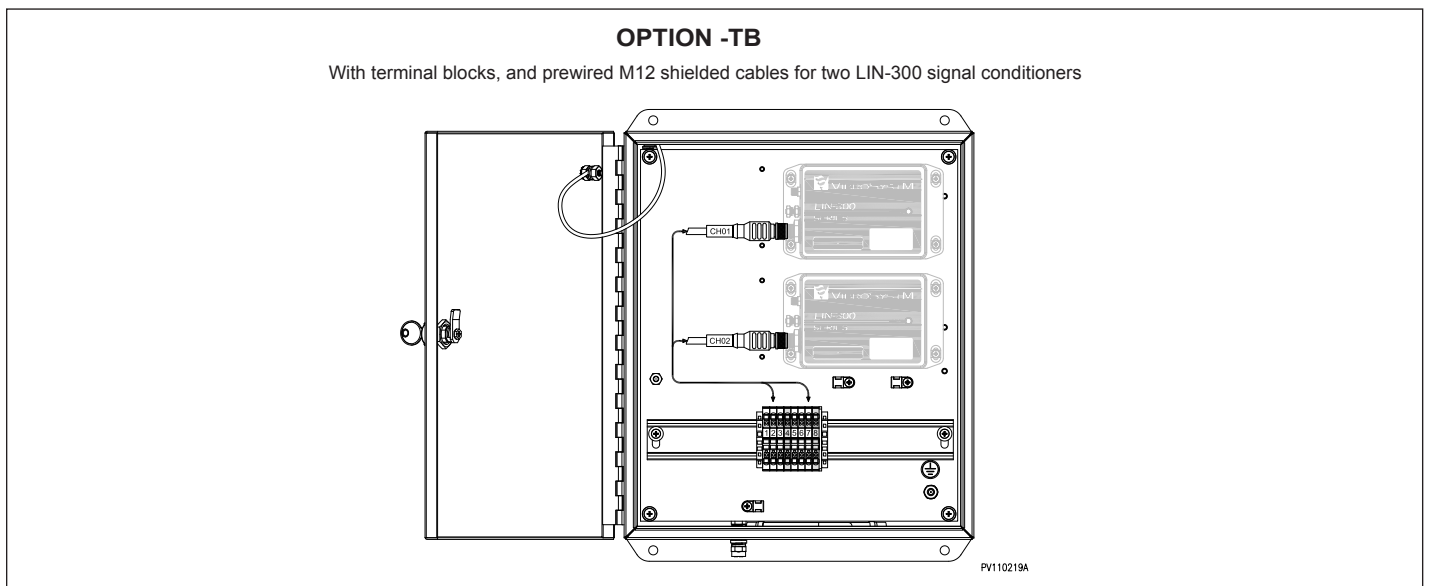
Connection for signal cable

- Single terminal blocks
- Single ground terminal blocks

Push-in, gray, AWG 24-10, 6.2 mm width

Push-in, green/yellow, AWG 24-10, 6.2 mm width

OVERVIEW





VSM-PBOX-14-12-8-PS

Connection for signal cable

- Single terminal blocks
- Single ground terminal block

Push-in, gray, AWG 24-10, 6.2 mm width
 Push-in, green/yellow, AWG 24-10, 6.2 mm width

Connection for ac/dc input

- Double terminal blocks
 - Double ground terminal block
 - Fuse holder terminal blocks
- Fuse

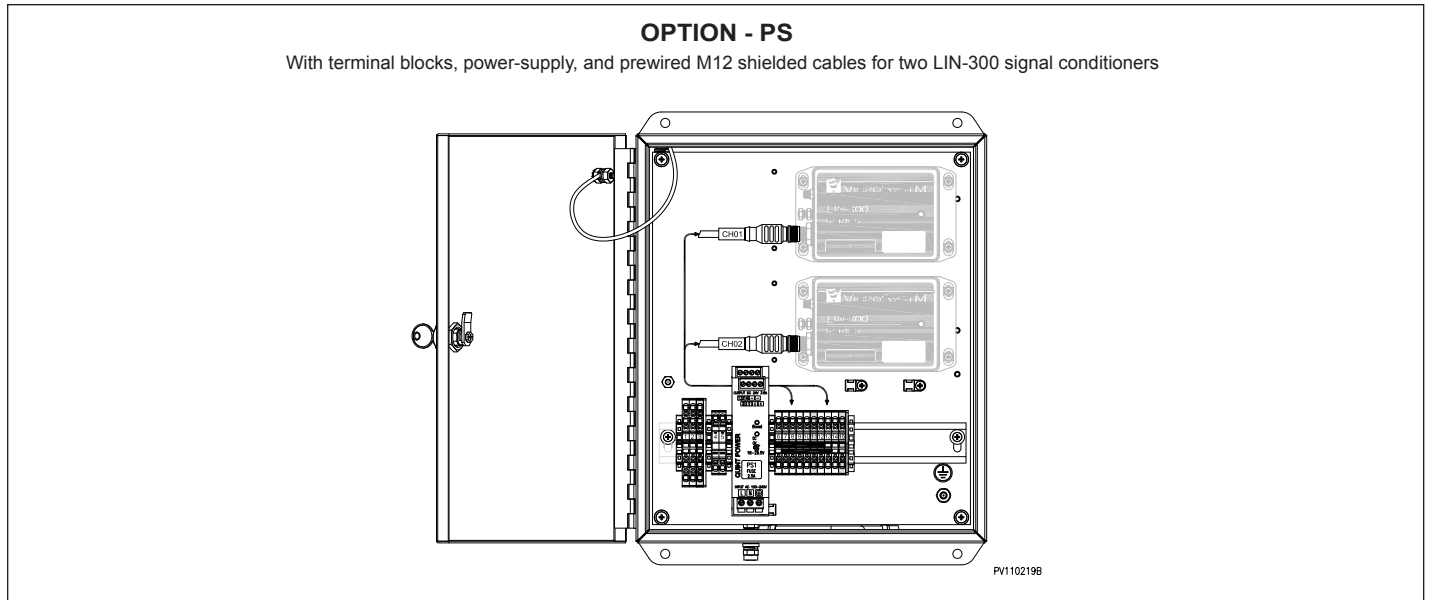
Push-in, gray, AWG 24-10, 6.2 mm width
 Push-in, green/yellow, AWG 24-10, 6.2 mm width
 Push-in, black, AWG 24-10, 6.2 mm width
 Slow-blow, 5 x 20 mm, 2.5 A

Power Supply

- AC input voltage range
- DC input voltage range
- Inrush surge protection
- Input fuse (internal)
- Transient surge protection
- Output voltage

100 to 240 Vac (50 - 60 Hz)
 105 to 250 Vdc
 < 20 A (typical)
 Slow-blow, 5 A
 Built-in (varistor)
 24 Vdc \pm 1 %

OVERVIEW



PRODUCT IDENTIFICATION

Product Number	Description
VSM-PBOX-14-12-8	Protection box 14-12-8 for 2 LIN-300
VSM-PBOX-14-12-8-TB	Protection box 14-12-8 for 2 LIN-300 with terminal blocks
VSM-PBOX-14-12-8-PS	Protection box 14-12-8 for 2 LIN-300 with power supply