



# PCS™-302

## CAPACITIVE PROXIMITY SENSOR

### GENERAL SPECIFICATIONS

#### Operation

• Measurement type	Non-contact proximity, capacitive technology
• Measuring range	0.3 to 2.3 mm [11.8 to 90.6 mils]
• Output	4 to 20 mA
• Sensitivity	8 mA/mm [0.2 mA/mil]
• Accuracy	± 1.25% FSR (calculated on a full scale range)
• Repeatability	± 0.5% FSR (calculated on a full scale range)
• Bandwidth	0 to 1000 Hz (-3dB)
• Load at current output	500 Ω max.
• Temperature drift	< 500 ppm/°C (at mid-range)
• Short circuit protection	Built-in

#### Power Requirements

• Voltage	24 Vdc ± 15%
• Consumption	70 mA max.
• Voltage reversal protection	Built-in
• Warm-up time	5 minutes

#### Connection

• Connector type	4-position M12 male
• Max. cable length	300 m [984 ft]

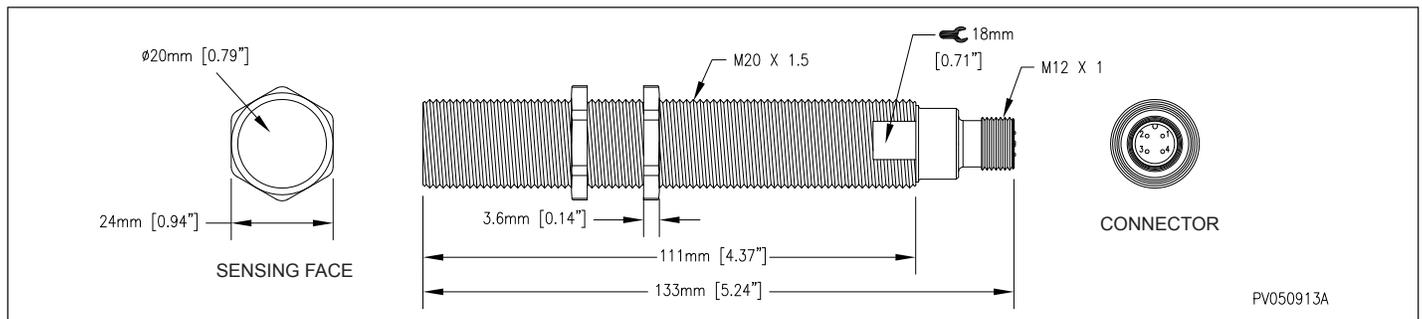
#### Environment

• Temperature range	
Operating	0 to 60 °C [32 to 140 °F]
Storage	-25 to 70 °C [-13 to 158 °F]
• Humidity	Up to 95%, non-condensing

#### Physical Characteristics

• Sensor body	Nickel-plated brass
• Sensing face	Glass-reinforced epoxy, FR-4

### DIMENSIONS



### PRODUCT IDENTIFICATION

Product Number	Description
VSM-PCS302	PCS-302 Capacitive Proximity Probe with built-in signal conditioner (0.3-2.3 mm)

Publication: 2019-02-06